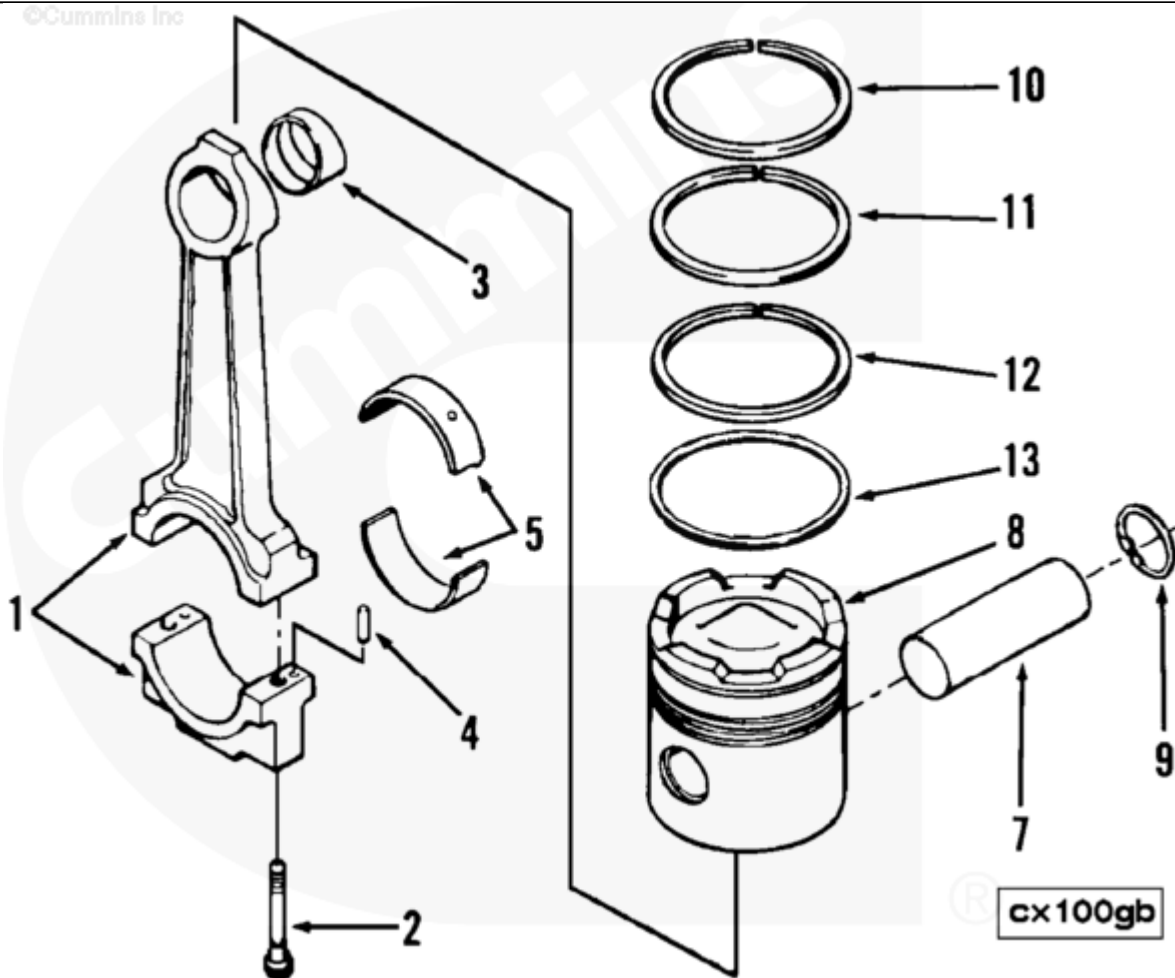




Parts Catalog - Option Detail

Electronic Parts Catalog - Option Detail				
Option	Group	Graphic	Film Card	Date
PP413	01.04	cx100gb	F	30-MAR-97
Engines	NH/NT 855, NT495, NT743, NTA855 N106			



[SMALL](#) | [MEDIUM](#) | [LARGE](#)

Cart	Ref No	Part Number	Part Description	Required	Remarks
View My Cart					
		PP413	Connecting Rod And Piston		
					Connecting Rod And Piston
					Performance parts for N-855
					naturally aspirated Big Cam

					models. CPL 413
					Certified By: No
					Timing Code: Ce AFC: No
					ASA: No
					Exhaust manifold - wet and
					dry
					Aftercooler:
					No
					reference: CPL no. 413
					Contains stellite valves.
<input type="checkbox"/>	1	3013930	Engine Connecting Rod	6	
<input type="checkbox"/>	2	3055171	Connecting Rod Cap Screw	2	
<input type="checkbox"/>	3	187420	Bushing	1	
<input type="checkbox"/>	4	70550	Pin Dowel	2	5/16 x 1/2 inch
<input type="checkbox"/>	5	214950	Connecting Rod Bearing	12	Standard
<input type="checkbox"/>	5	214951	Connecting Rod Bearing	12	.010 in. Oversize
<input type="checkbox"/>	5	214952	Connecting Rod Bearing	12	.020 in. Oversize
<input type="checkbox"/>	5	214953	Connecting Rod Bearing	12	.030 in. Oversize
<input type="checkbox"/>	5	214954	Connecting Rod Bearing	12	.040 in. Oversize
<input type="checkbox"/>	7	191970	Piston Pin	6	
<input type="checkbox"/>		3801703	Engine Piston Kit	6	
<input type="checkbox"/>	8	3048650	Engine Piston	1	Compression Ratio 15.5:1
<input type="checkbox"/>	9	175755	Retaining Ring	2	
<input type="checkbox"/>		3801056	Piston Ring Set	6	
<input type="checkbox"/>	10	3012331	Compression Piston Ring	1	
<input type="checkbox"/>	11	3012332	Compression Piston Ring	1	
<input type="checkbox"/>	12	3056429	Compression Piston Ring	1	
	13	218732	Oil Piston Ring	1	

